



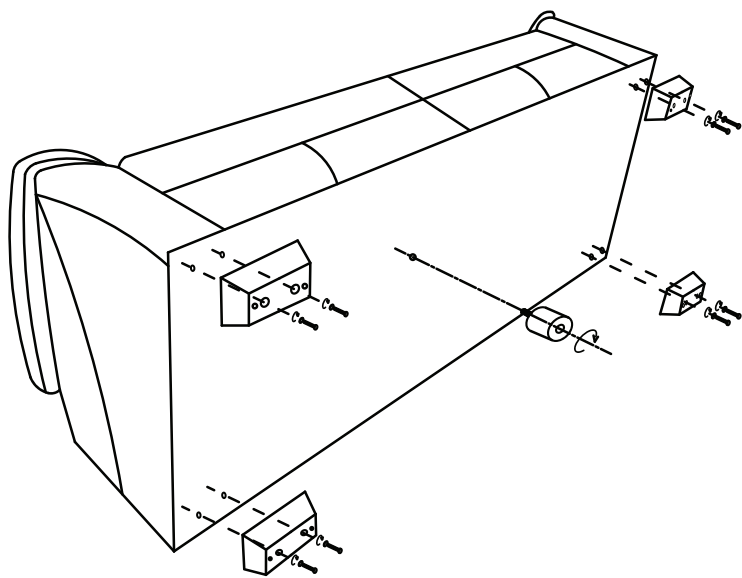
Charm 3 Seater Lounge

ⓘ The components are heavy, assembly should be performed by two people.

Step 1

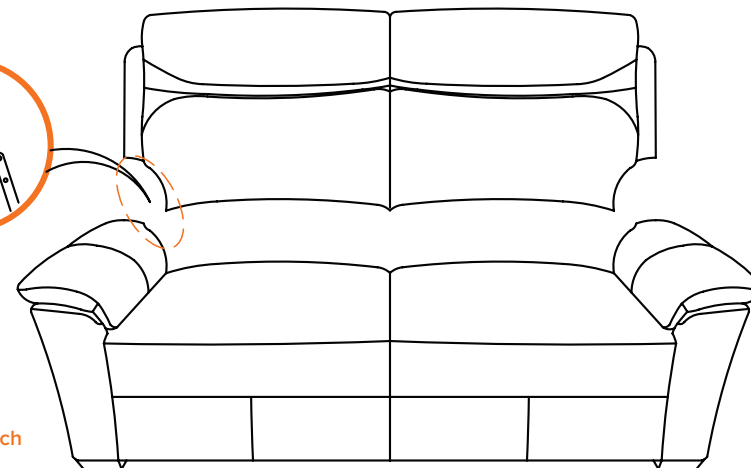
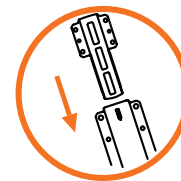
Assemble this product in an open space with room to move. Remove the packaging from the product.

The suite pieces need to have feet attached. These are located in the zipped pocket underneath each piece. Attach each foot with 2 screws and washers. The center cylinder foot attaches using an attached screw. Be careful when rotating to avoid damage to the product.



Step 2

Lift the seat backrest to align the metal receivers with the metal posts of the chair base. Allow the posts to slide into the receivers and press down firmly on the top of the backrest until a click is heard on each side.



Scan QR code to watch a video of this step

For care and maintenance tips & tricks, videos, and other products please visit our website: www.synargy.com



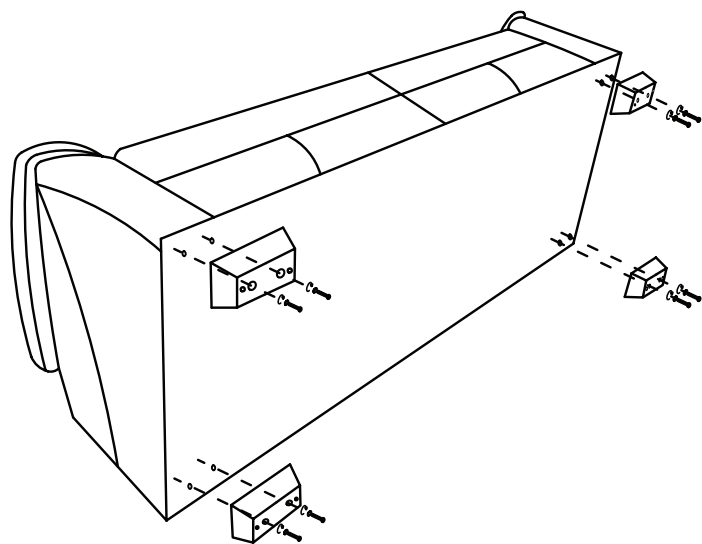
Charm 2 Seater Lounge

⚠ The components are heavy, assembly should be performed by two people.

Step 1

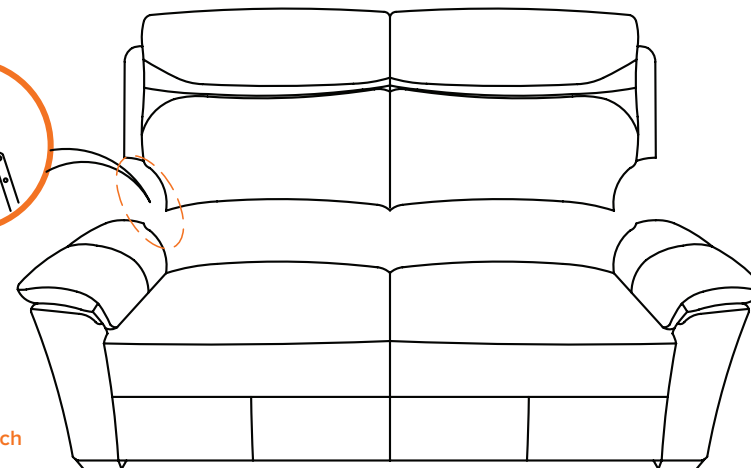
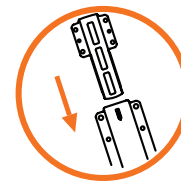
Assemble this product in an open space with room to move. Remove the packaging from the product.

The suite pieces need to have feet attached. These are located in the zipped pocket underneath each piece. Attach each foot with 2 screws and washers. Be careful when rotating to avoid damage to the product.



Step 2

Lift the seat backrest to align the metal receivers with the metal posts of the chair base. Allow the posts to slide into the receivers and press down firmly on the top of the backrest until a click is heard on each side.



Scan QR code to watch a video of this step

For care and maintenance tips & tricks, videos, and other products please visit our website: www.synargy.com



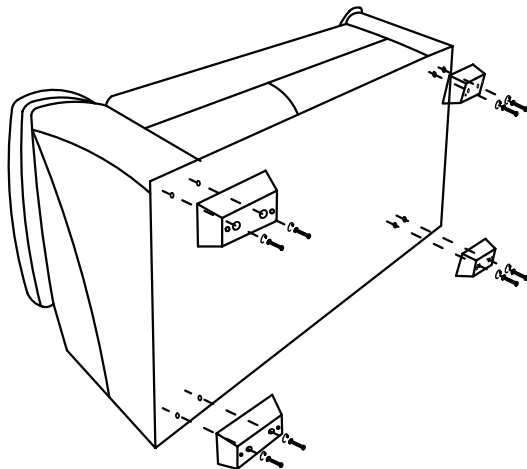
Charm Armchair

ⓘ The components are heavy, assembly should be performed by two people.

Step 1

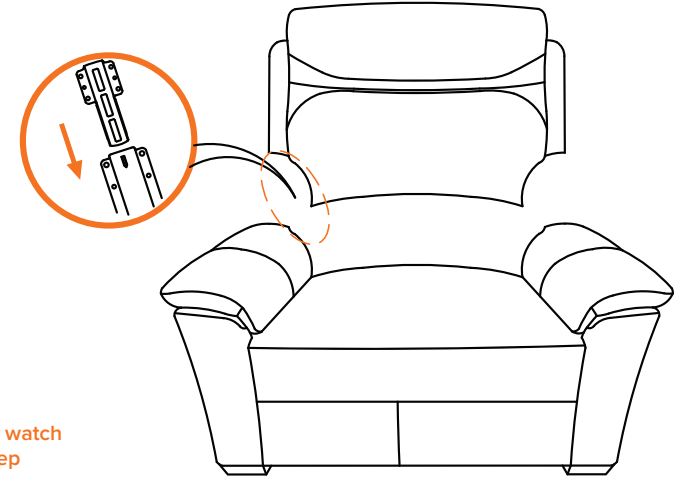
Assemble this product in an open space with room to move. Remove the packaging from the product.

The armchair needs to have feet attached. These are located in the zipped pocket underneath the seat. Attach each foot with 2 screws and washers. Be careful when rotating to avoid damage to the product.



Step 2

Lift the seat backrest to align the metal receivers with the metal posts of the chair base. Allow the posts to slide into the receivers and press down firmly on the top of the backrest until a click is heard on each side.



Scan QR code to watch a video of this step

For care and maintenance tips & tricks, videos, and other products please visit our website: www.synargy.com